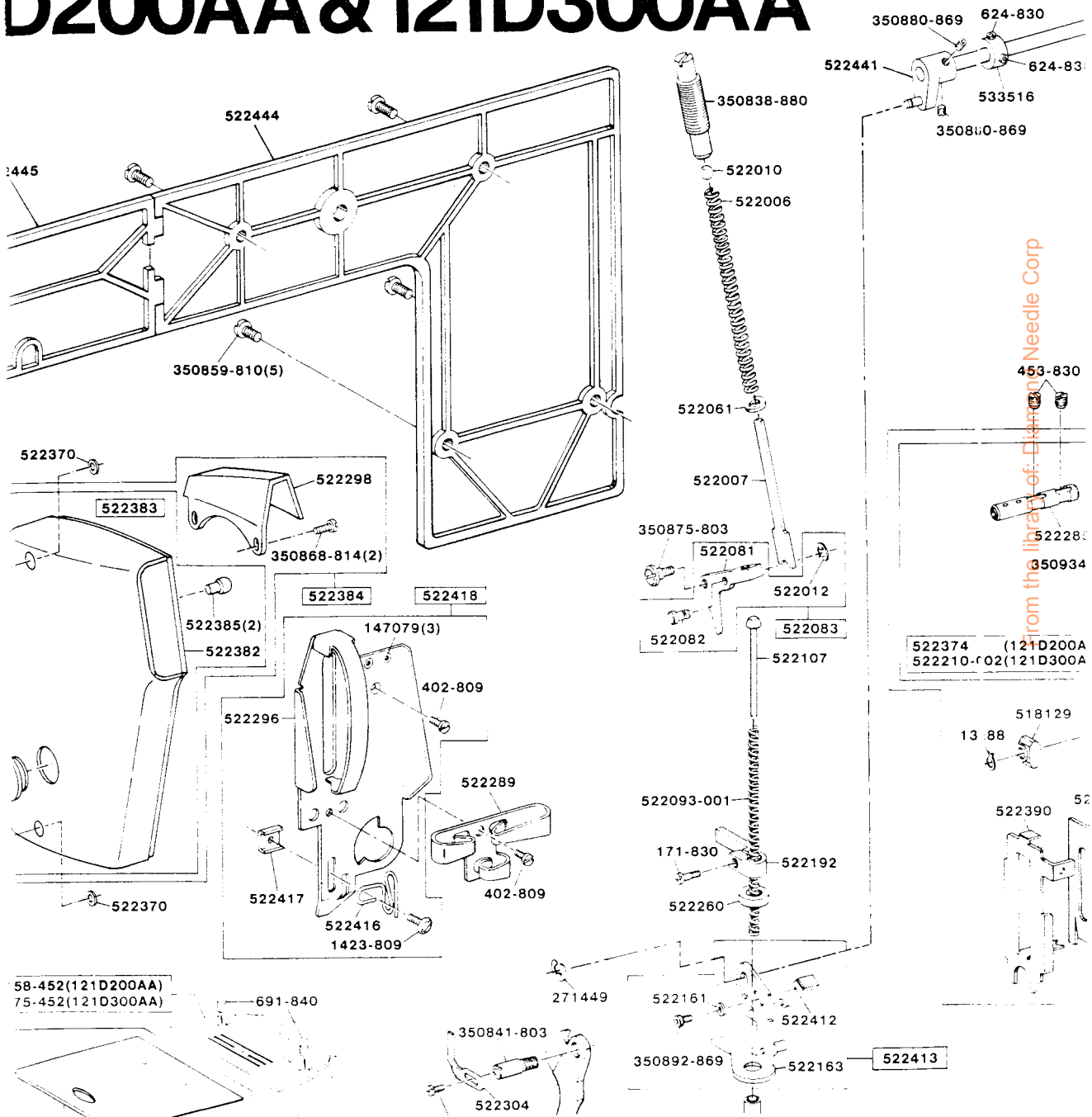


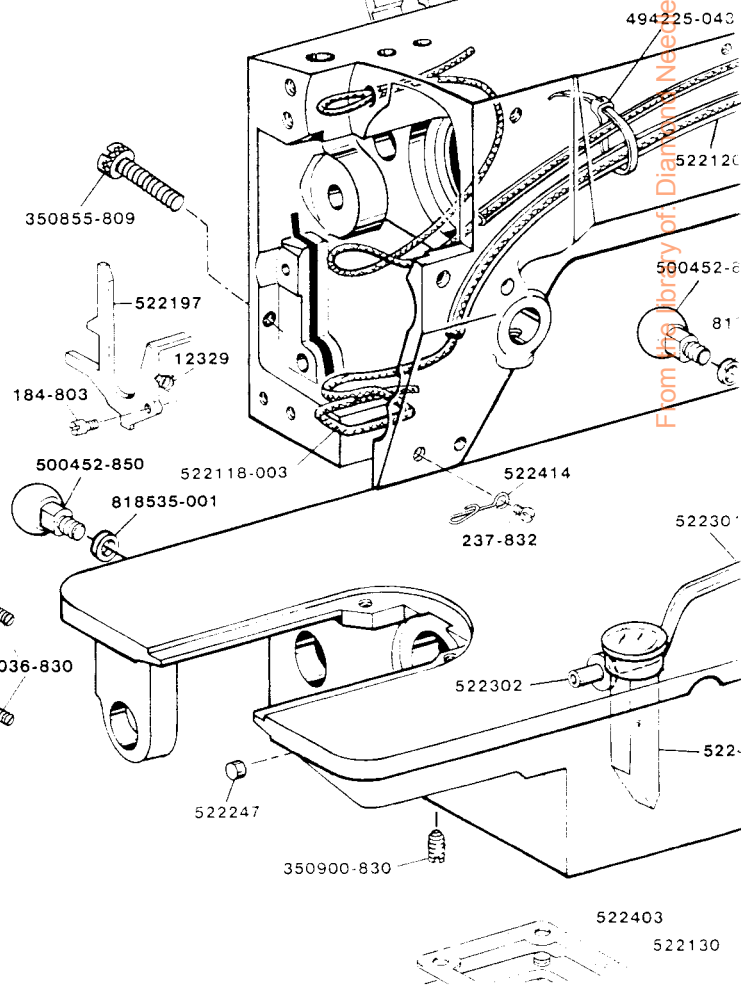
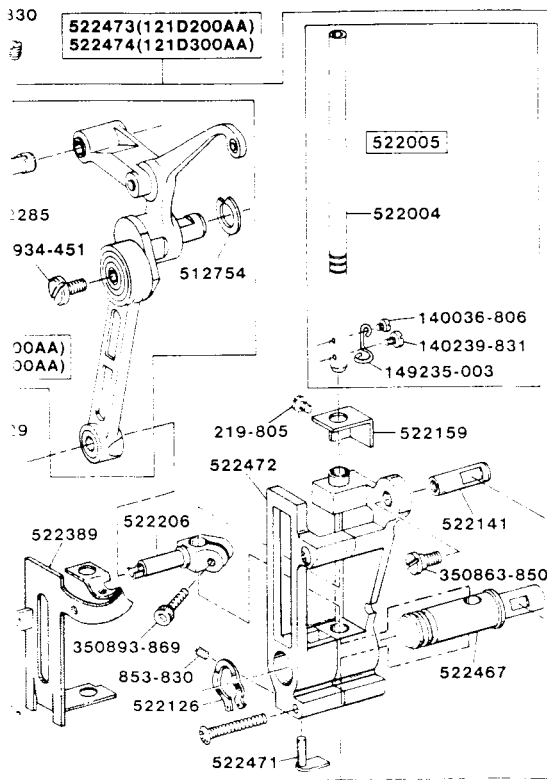
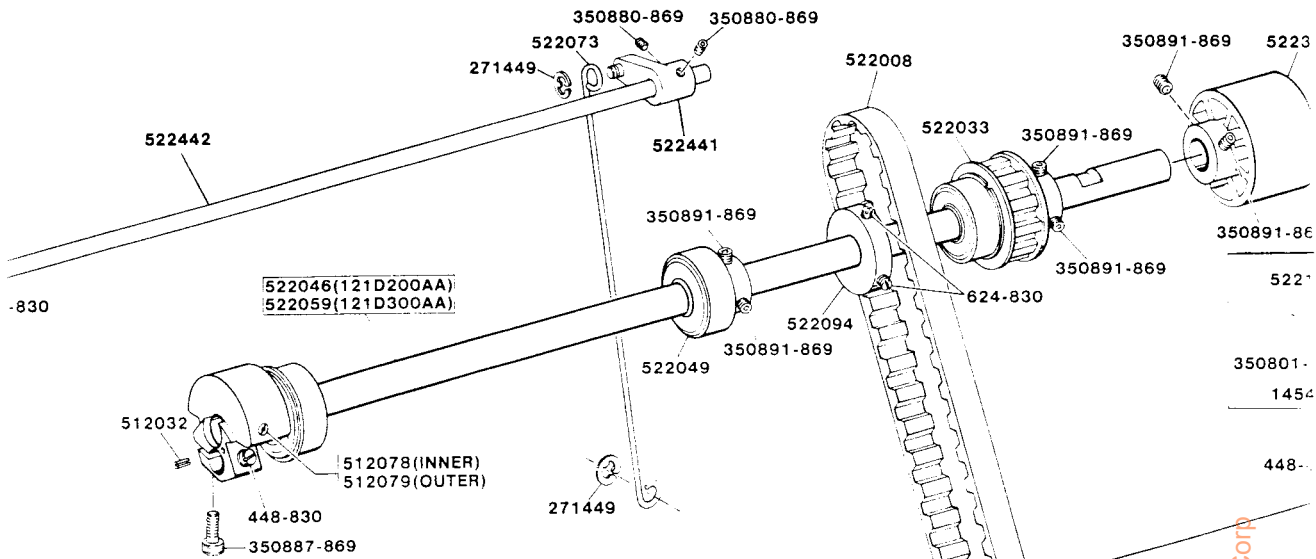
SINGER
121D200,D300

SINGER

D200AA & 121D300AA

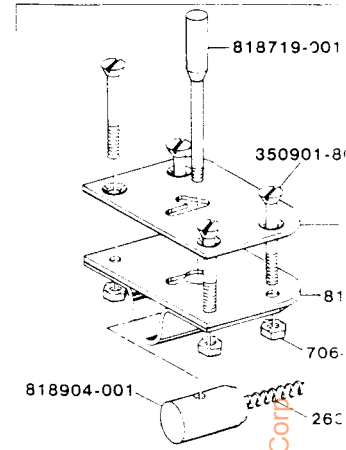
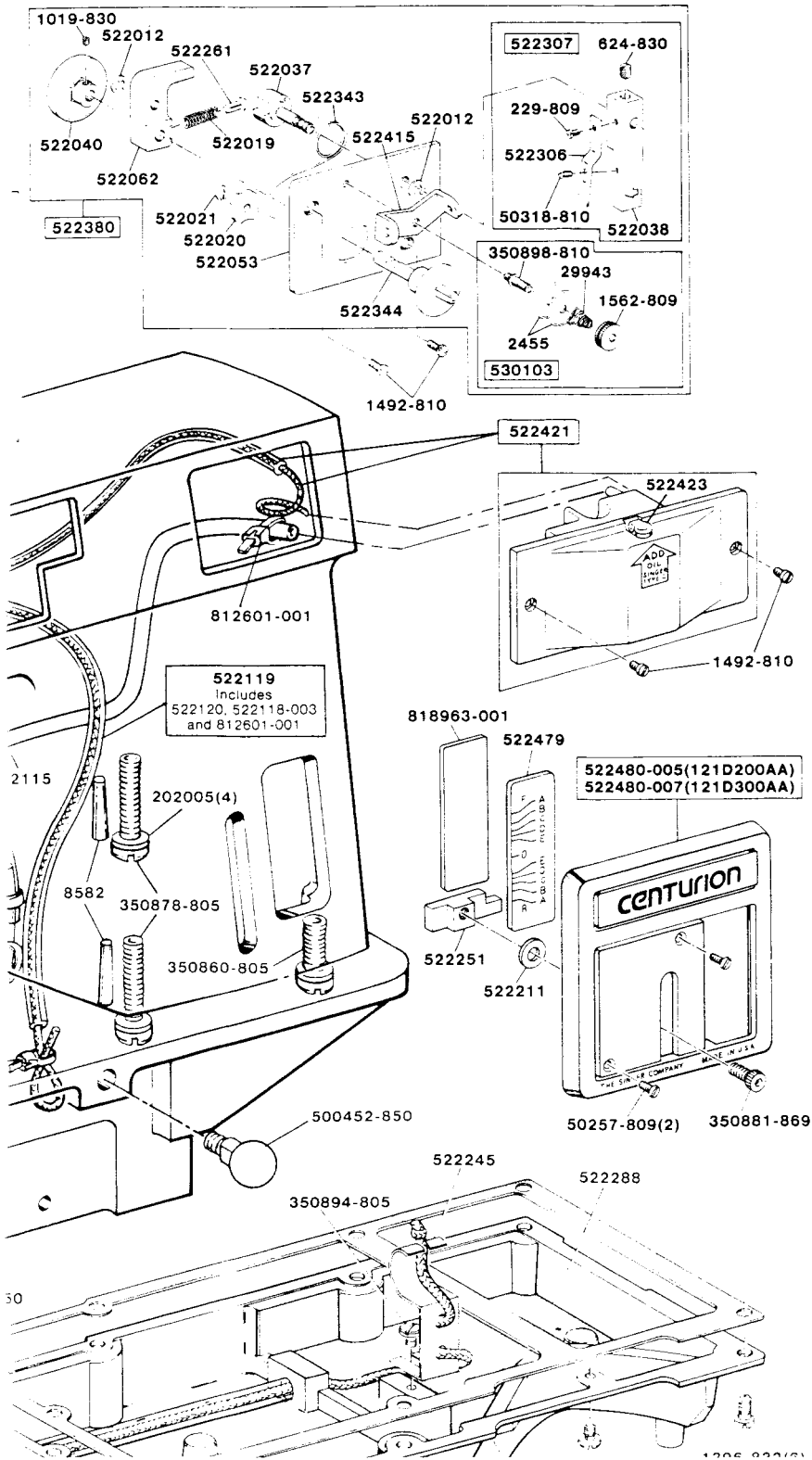


from the library of: **Diagrams Needle Corp**



N1955

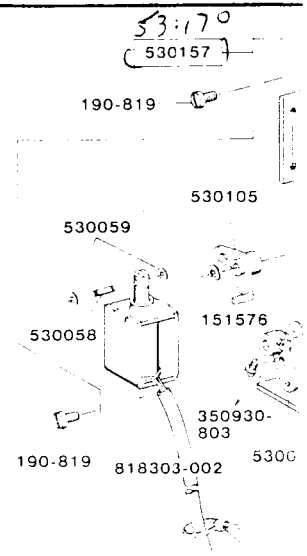
From the Library of Diagrams Netzte Corp



818916-001
USED WITH ELECTRONIC
DRIVE & CONTROL SYSTEM
PACKAGE NO 81832-001
818352-002 818353-001 818354-001

259502
FINGER GUARD
(OPERATOR REMOVABLE)
FOR DOMESTIC USE

From the Library of: Diamond Tool Corp.



001
 1-809(4)
 -522329
 -818903-001
 06404-036(4)
 163738



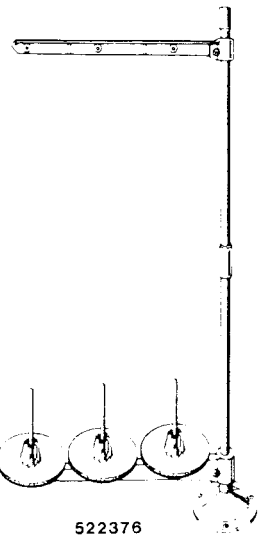
522303
 NUT DRIVER FOR
 HOOK SHAFT BUSHING
 OIL FITTING
 PART NO. 494161-005



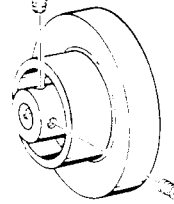
522093-002
 PRESSER BAR
 COMPRESSION SPRING (LIGHT)



522359
 FOOT CONTROLLED
 REVERSE FEED
 ADAPTER BRACKET

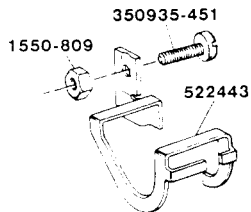


350891-869(2)



522326
 HAND WHEEL

M
 353-002

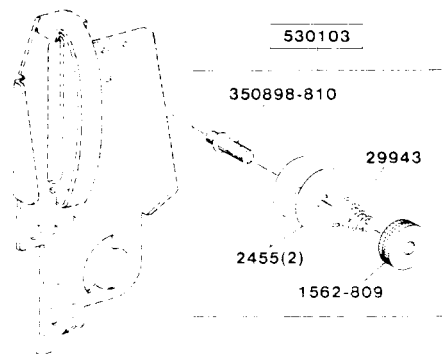
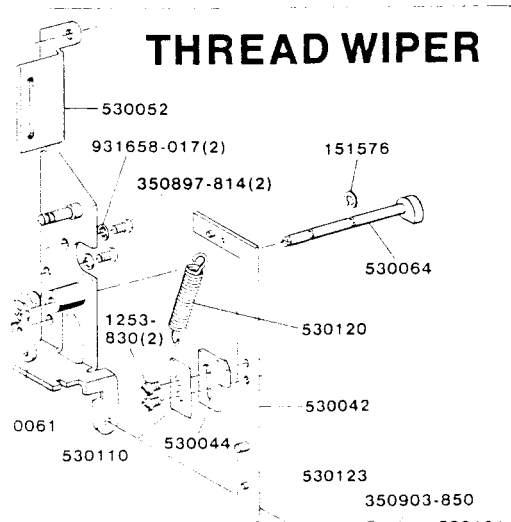


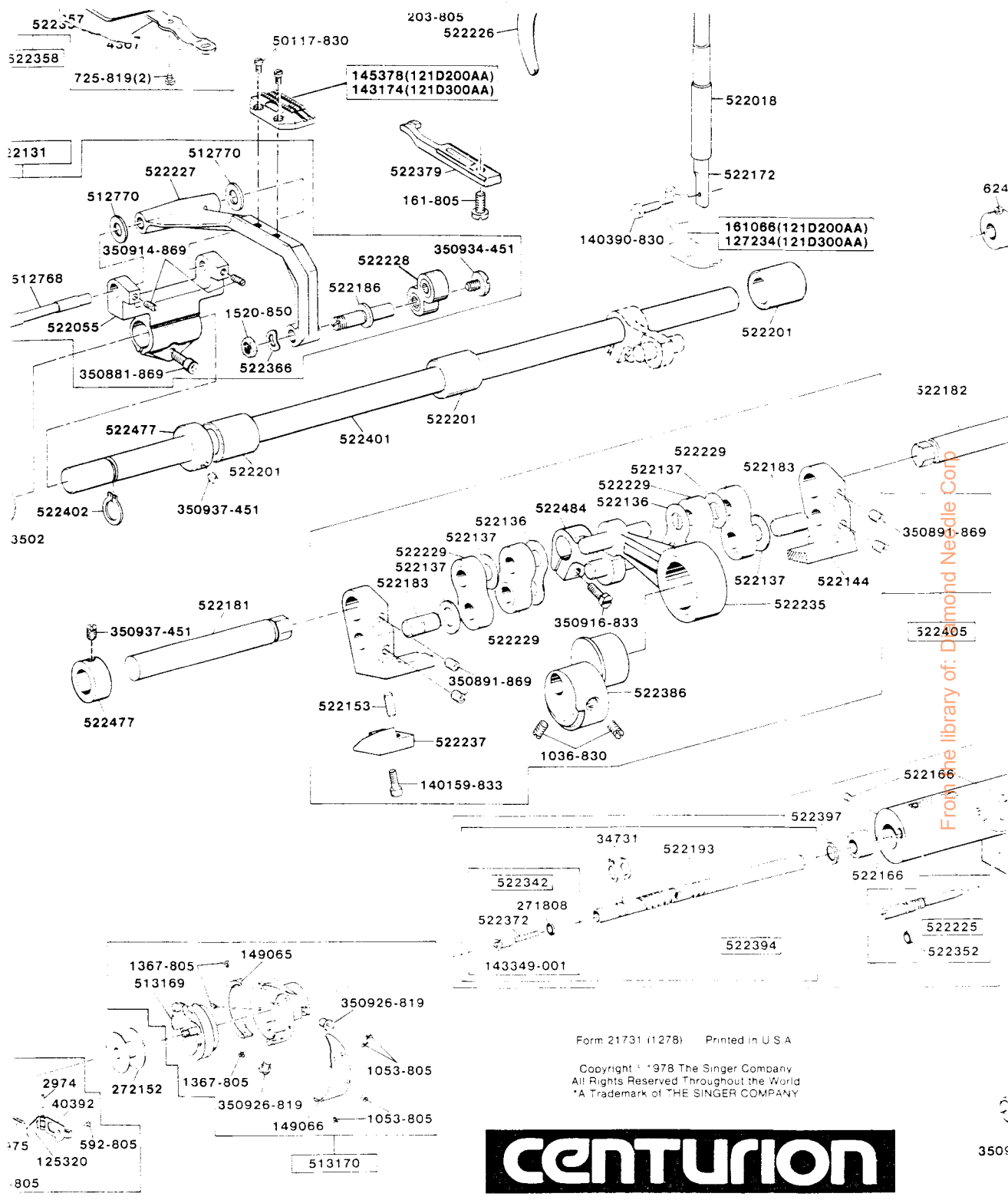
350935-451
1550-809
522443
 FINGER GUARD
 (NOT OPERATOR REMOVABLE)
 FOR DOMESTIC AND EXPORT



150668
 KNEE LIFTER
 PLATE PAD (RUBBER)

OPTIONAL PARTS

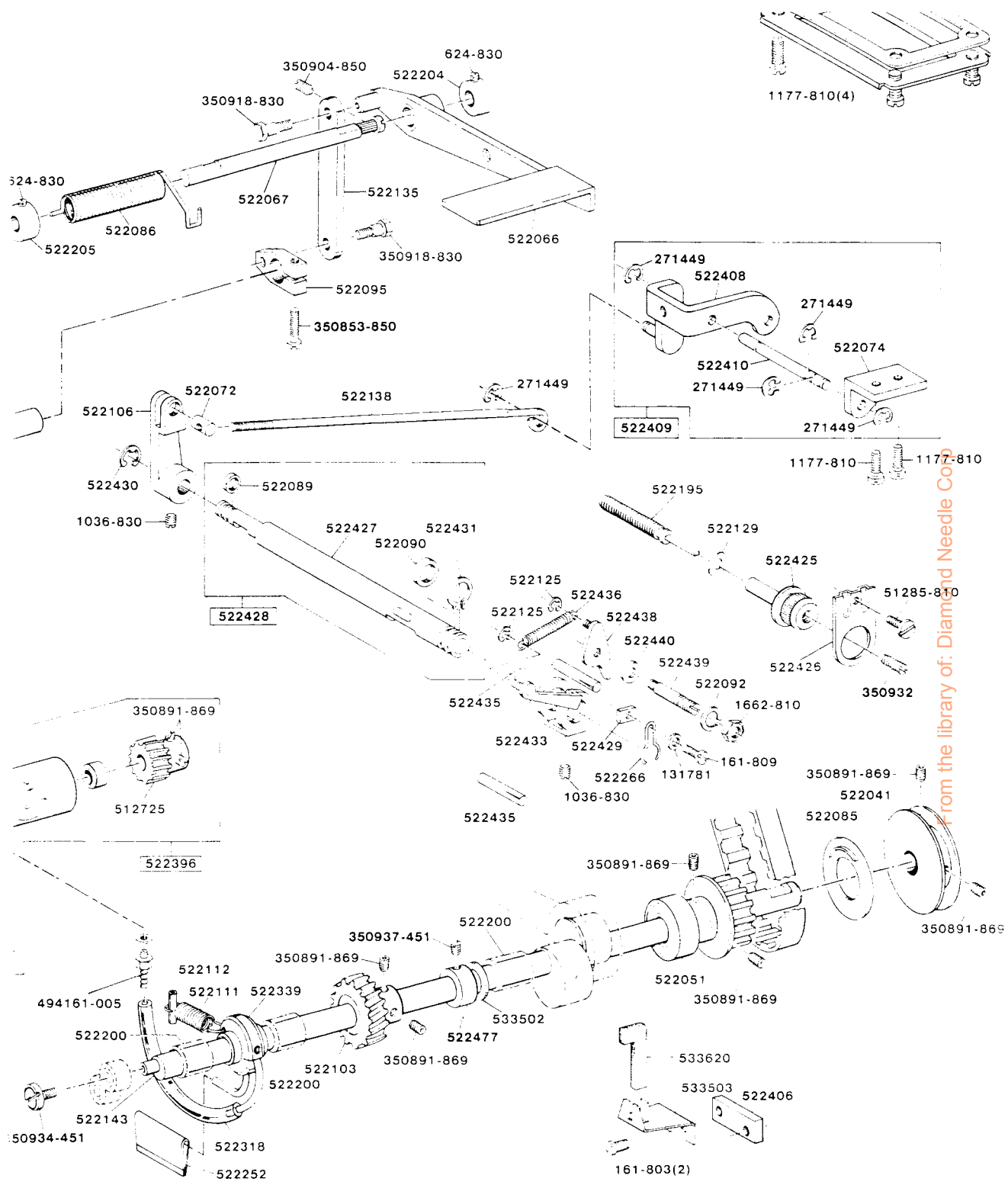




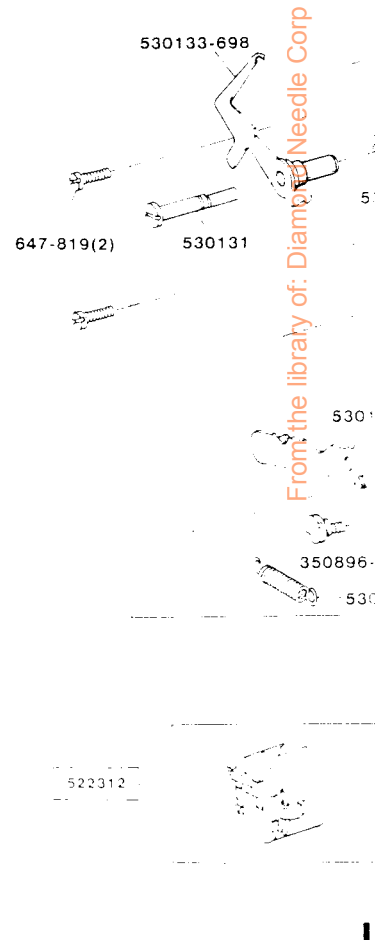
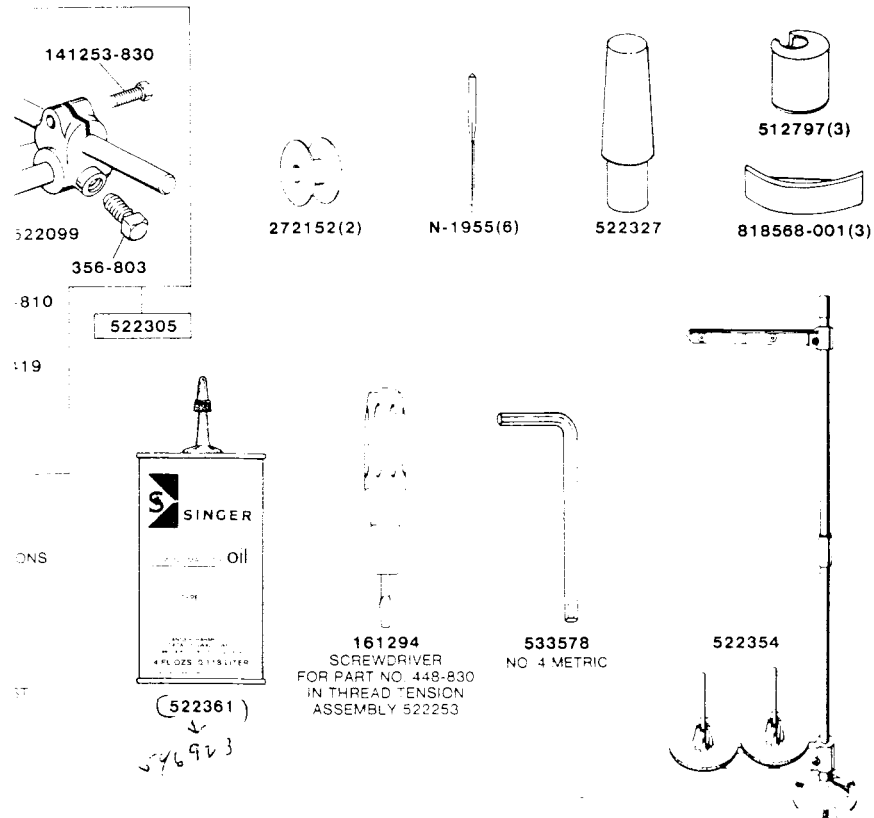
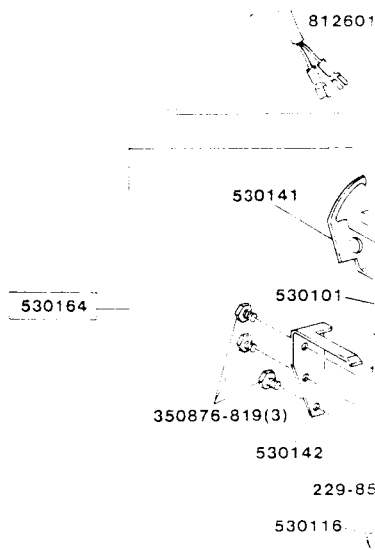
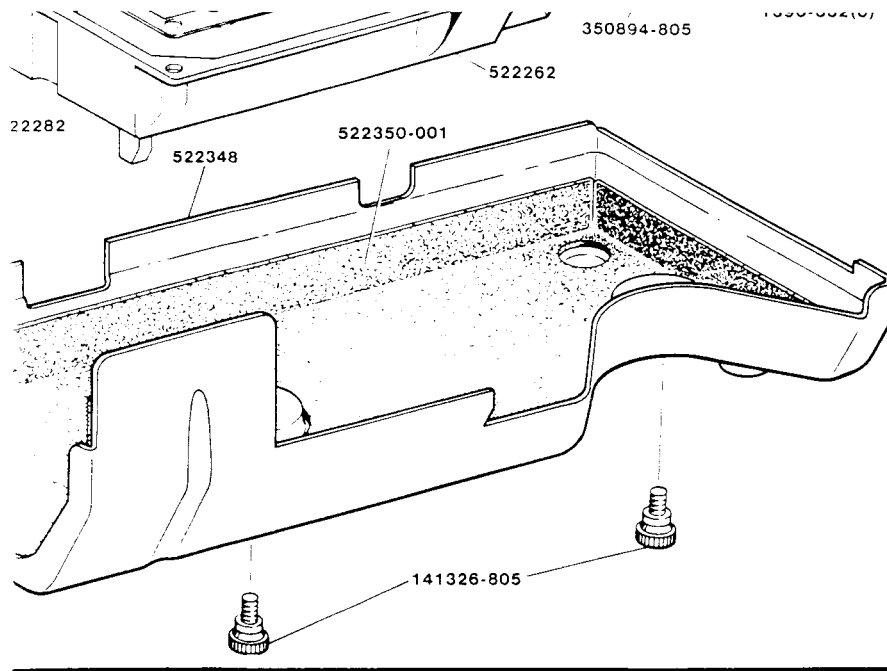
From the library of: Diamond Needle Corp

Form 21731 (1278) Printed in U.S.A.
Copyright © 1978 The Singer Company
All Rights Reserved Throughout the World
*A Trademark of THE SINGER COMPANY



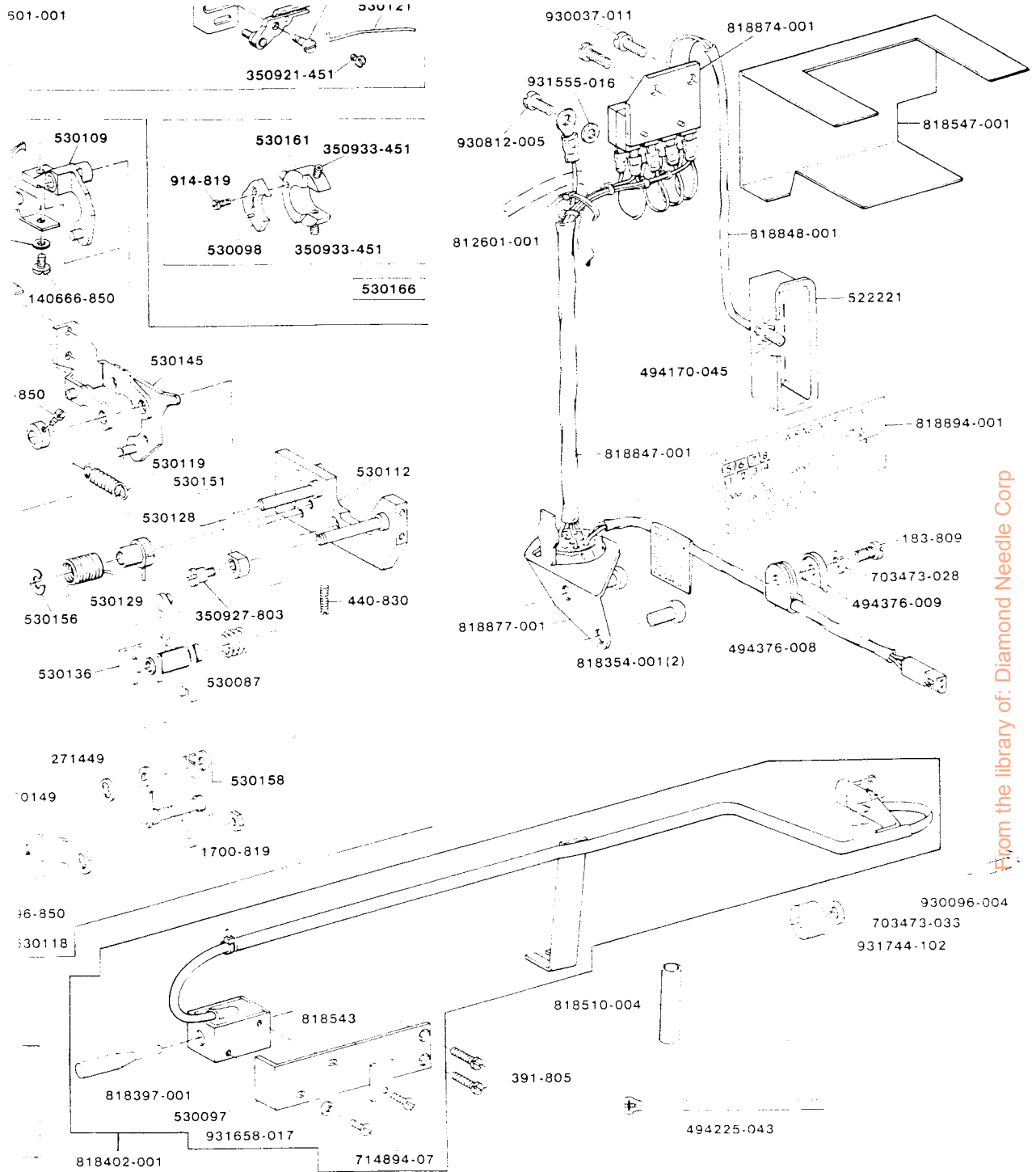


from the library of: Diamond Needle Co.



From the library of: Diamond Needle Corp

ACCESSORIES



**UNDERBED THREAD TRIMMER PARTS
FOR 121D200BA AND 121D300BA MACHINES**